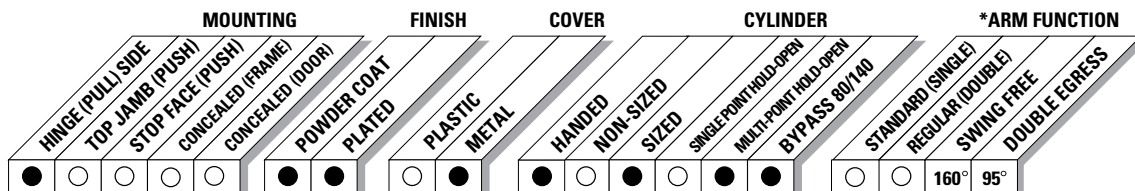


The 4310ME SENTRONIC® is a heavy duty, electrically controlled closer/holder designed to provide infinitely adjustable hold-open for fire and smoke barrier doors. Door is held open until current interruption releases mechanism and the door closes. Single lever (track) arm closer is specifically designed for interior doors. Choice of finishes, cylinder functions, and installation accessories meet virtually all life safety requirements. An ME provides only the closer / holder function.

Certifications	Grade 1 - ANSI A156.15, UL 10C, ADA, 100 Hour Salt Spray, Meets BAA - Buy American Act, NFPA 101	Cover	Metal, Standard
Body Construction	<ul style="list-style-type: none"> Cast Iron Body Full Complement Bearing 1-1/2" Diameter Piston 11/16" Diameter Double Heat Treated Pinion Journal 	Fasteners	Wood and machine screw pack
Fluid	All Weather Fluid	Mounting	Hinge (Pull Side)
Handing	Handed	Arms	Swing free arm, standard Double egress, optional
Size	Sized, 4 only	Finishes/Colors/ Powder Coat	<ul style="list-style-type: none"> Aluminum (689) Statuary Bronze (690) Light Bronze (691) Black (693) Dark Bronze (695) Brass (696) Custom colors optional Optional SRI primer - powder coat only Optional plated finishes
Warranty	2 years		
Wiring	<ul style="list-style-type: none"> Concealed or exposed electrical connectors Built in "On/Off" switch controls hold-open function Interfaces with fire alarm systems 		

Special Templates

Customized installation templates or products may be available to solve unusual applications. Contact LCN Product Support for assistance.



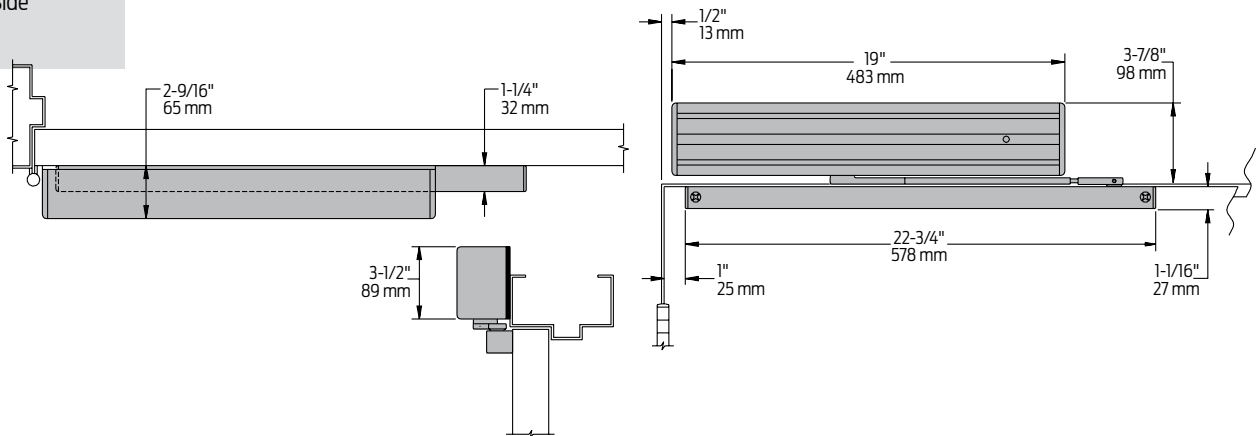
● AVAILABLE
○ NOT AVAILABLE

* Maximum opening/hold-open point with standard template. See individual closer series for degrees of opening per installation.

4310ME Series

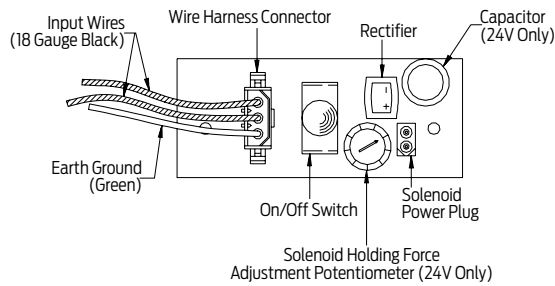
Mounting details

Hinge (Pull) Side Mounting



Butt Hinges	Should not exceed 4-1/2" (114 mm) in width
Top Rail	1-1/16" (27 mm) minimum
Reveal	<ul style="list-style-type: none"> Should not exceed 1/8" (3 mm) for Swing-Free arm Should not exceed 2-11/16" (68 mm) for double egress arm
Head Frame	Requires 2" (51 mm) minimum
Clearance	1-1/4" (32 mm) behind door required for installation
Bypass	<ul style="list-style-type: none"> (suffix "B80 or B140") eliminates hold-open function up to a specified point of the doors swing B80 cylinder from 0° to 80° B140 cylinder from 0° to 140°
Maximum Opening	<ul style="list-style-type: none"> Templating allows 180° with hold-open points up to 160° Optional double egress arm limited to 95° Please note that many track style door closers are capable of allowing 180° of door swing. Be aware that the majority of track style closers are at their weakest closing force in the 180° – 130° range Consult factory for applications where exterior or large/heavy door must swing 180°
ME Electrical Options	<ul style="list-style-type: none"> These assemblies have a single electrical circuit with a choice of voltages A separate TRANSFORMER, 4040SE-3210, can be used to reduce line voltage to 24V AC Circuitry accepts either AC or DC input Please specify 24V or 120V
Options	<ul style="list-style-type: none"> Hold-open bypass 24V or 120 volt input, please specify

ME (4310, 4410) Wiring Diagram



Notes:

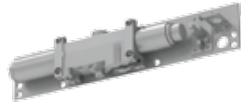
- Information applies to ME closer
- Functions as full rack and pinion door closer when hold-open is not engaged or when current is interrupted with Swing-Free arm engaged
- Swing free arm allows door to be moved without door closer resistance

Cylinder



4310ME-3971
ME Cylinder Assembly

- Handed
- Cast iron
- Specify 24V or 120V
- Standard



4310ME-3071
ME Cylinder/Plate Assembly

- Handed
- “On/Off” switch assembly controls hold-open function
- Circuitry accepts either AC or DC input
- 24V or 120V, please specify
- Standard

Cover



4310ME-72MC
Metal Cover

- Handed
- Standard

Arms



4310ME-3077SF
Swing-Free Arm

- Handed
- After door is placed in hold-open, secondary pivot point allows up to 160° swing without door closer resistance



4310ME-3077DE
Double Egress Arm

- Handed
- For double egress doors and frames
- 2-11/16" (68 mm) maximum reveal
- Optional

Track



4310ME-3038
Track

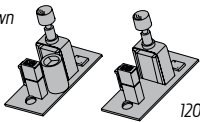
- Non-handed
- Standard

4310ME Series

Accessories

Switch

24V shown



120V shown

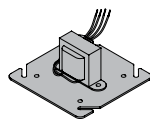
4310ME-3351 Switch Assembly

- Provides continuous hold-open function
- 24V or 120V, please specify



4310ME-3034 Track Roller

- Quiet, low friction roller assembly
- Shoulder dimension "X" = 1/8" (3mm)



4310-3210 Transformer

- Reduces line voltage from 120V to 24V AC
- Mounted on cover for 4" (102 mm) x 4" x 2-1/8" (54mm) junction box (by others)



4310ME-3354 ME Wiring Harness

- Three wire harness with 6" (152 mm) leads for field wiring connections

How-to-order 4310ME Series closers

Select hand

- RH
- LH

Voltage

- 24V AC/DC
- 120V AC/DC

Specify finish

- Standard Powder Coat _____
Aluminum, Dark Bronze, Statuary, Light Bronze, Black, Brass.

Closer will be shipped with:

- Standard cover
- Swing-free (sf) arm
- Standard track
- Track roller
- Wood & machine screw pack
unless options listed below are selected.

Closer options

Cylinder function

- Bypass 80° (B80)
- BBypass 140° (B140)

Arm

- Double Egress (DE)

Finishes

- Custom Powder Coat (RAL) _____
- Plated Finish, US _____

Screw pack

- TB*, Wood & Machine Screw (TBWMS)
- TORX Machine Screw (TORX)
- TB* & TORX Machine Screw (TBTRX)
- *Specify door thickness if other than 1-3/4".

Installation accessories

- Transformer, 4310ME-3210

Special template

- ST- _____

Table of sizes

- Closing power of 4314ME Series closers may be increased 15%

