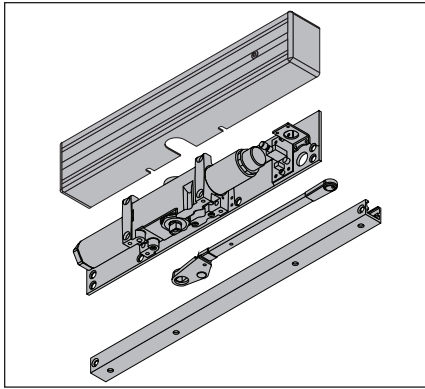
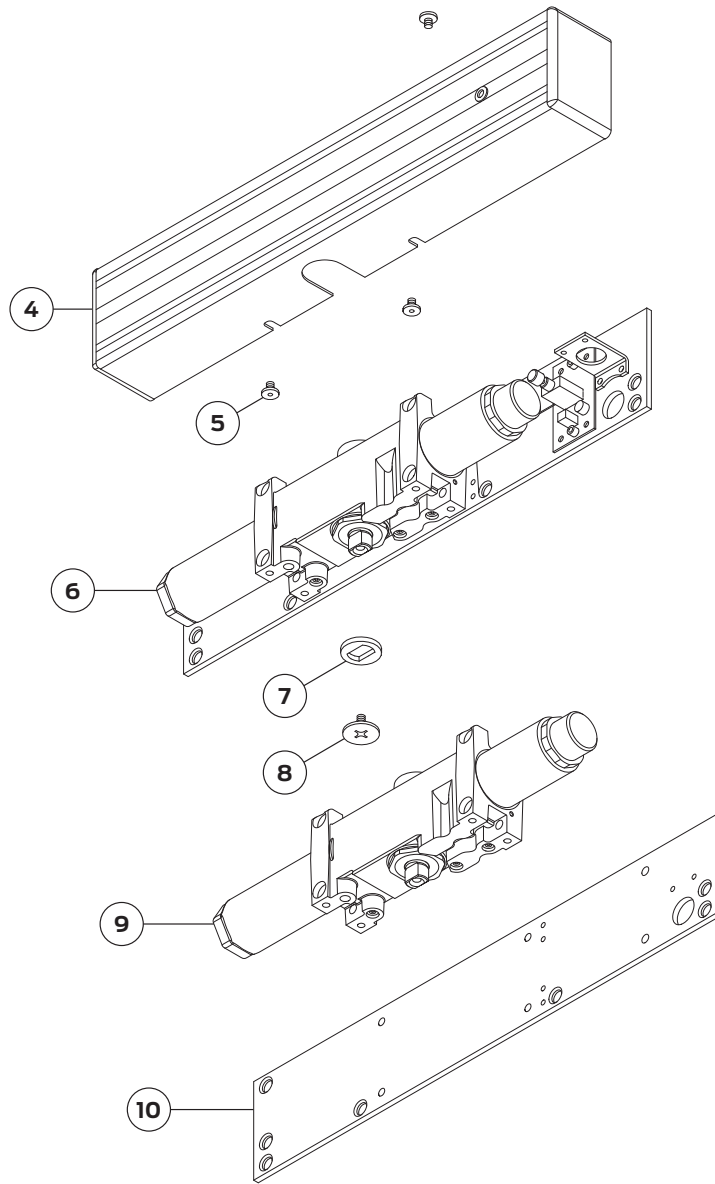
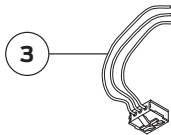
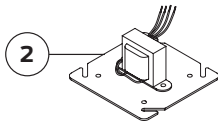
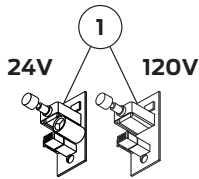


4310ME Series "Sentronic"



Cylinder & Cover Parts



No.	Description	Part number
1	ME Switch Assembly (V)	4310ME-3351
2	Transformer	4310ME-3210
3	ME Wire Harness *	4310ME-3354
4	Metal Cover (F)(H)†	4310ME-72MC
5	Cover Screw (F)	4310ME-31
6	Standard Cylinder Assembly (F)(S)(H)(V)‡	4314ME-3071
6	B80 Cylinder Assembly (F)(S)(H)(V)‡	4314ME-3071B80
6	B140 Cylinder Assembly (F)(S)(H)(V)‡	4314ME-3071B140
7	Spacer	4310ME-61
8	Arm Screw (F)	4310ME-159

No.	Description	Part number
9	Cylinder Only (F)(S)(H)(V)§	4314ME-3971
9	B80 Cylinder Only (F)(S)(H)(V)§	4314ME-3971B80
9	B140 Cylinder Only (F)(S)(H)(V)§	4314ME-3971B140
10	Mounting Plate (F)(H)	4310ME-18
11	Input Harness (Not Shown)	4310ME-3431
12	WMS Screw Pack (Not Shown)	4310ME-WMS
13	TBWMS Screw Pack (Not Shown)	4310ME-TBWMS
14	TORX Screw Pack (Not Shown)	4310ME-TORX
15	TBTRX Screw Pack (Not Shown)	4310ME-TBTRX

* Wire length is 6" (152mm).

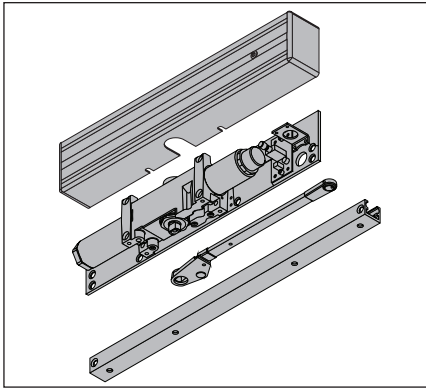
† Includes No. 5(3).

‡ Includes Nos. 1, 2, 3, & 10. Includes WMS Screw Pack (No. 12) standard - please specify other.

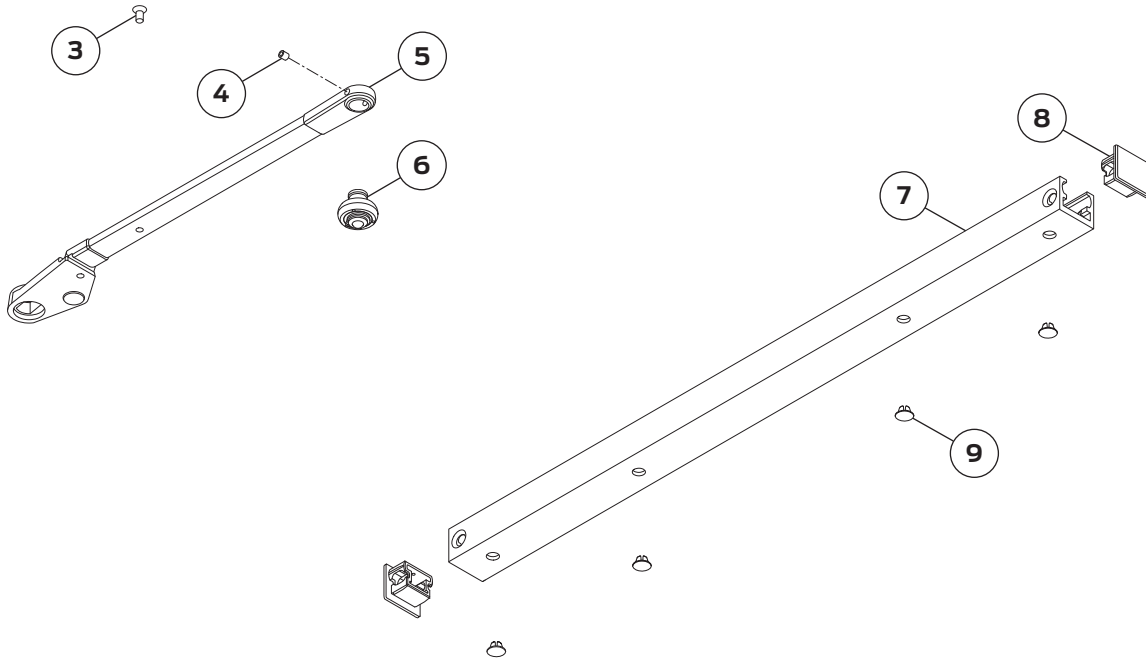
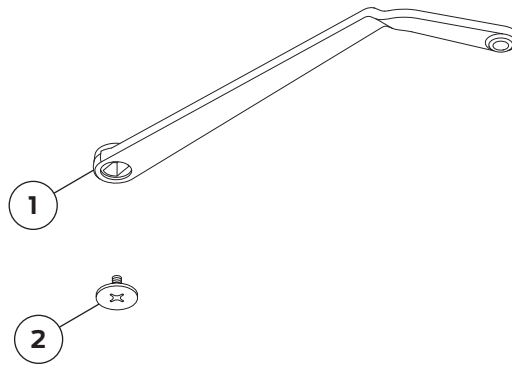
§ Includes Solenoid (no other electronics) & WMS Screw Pack (No. 12) standard - please specify other.

Please specify finish (F), size (S), hand (H), & voltage (V) where indicated. See the latest edition of the LCN catalog for part descriptions and specifications on many of the items shown above. List prices for items shown above can be located in the current LCN price book.

4310ME Series "Sentronic"



Arms & Track



No.	Description	Part number
1	Double Egress Arm (F)(H)*	4310ME-3077DE
2	Arm Screw (F)	4310ME-159
3	Arm Screw (F)	4310ME-83
4	Roller Lock Screw	4310ME-425
5	Swing Free Arm (F)(H)†	4310ME-3077SF

No.	Description	Part number
6	Track Roller	4310ME-3034
7	Standard Track (F)‡	4310ME-3038
8	End Cap (F) (2 Required - Sold Individually)	4310ME-73
9	Plug (F) (4 Required - Sold Individually)	4310ME-141-2

* Includes Nos. 2 & 4.

† Includes Nos. 2, 3, & 4.

‡ Includes Nos. 8(2) & 9(4). Length is 22 3/4 " (578 mm).

Please specify finish (F) & hand (H) where indicated. See the latest edition of the LCN catalog for part descriptions and specifications on many of the items shown above. List prices for items shown above can be located in the current LCN price book.